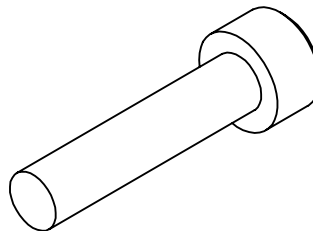
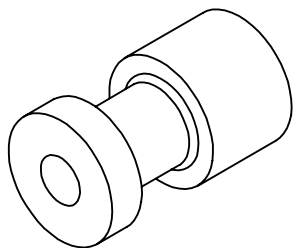


STRAP LATCH INSERT INSTALLATION

Part # 20-02098-90
Bestop Part # 74603-01

Tools Recommended
T20 Torx driver - 4mm Hex Key



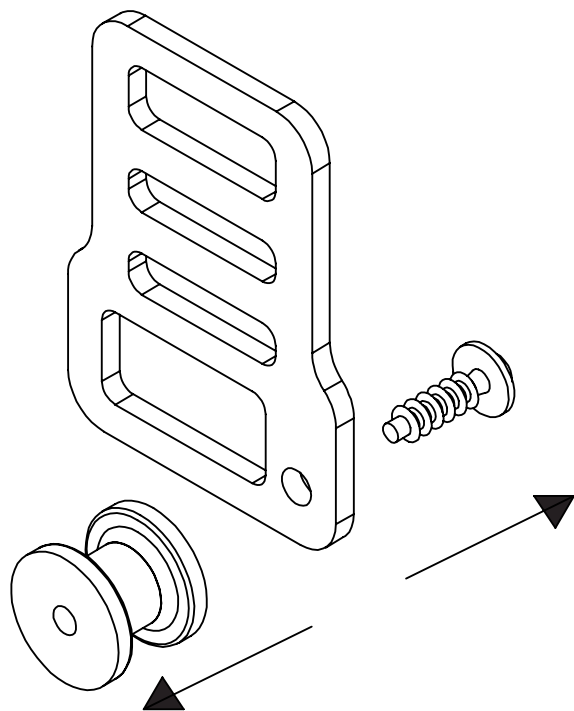
① x2

1 piece Strap Latch Insert

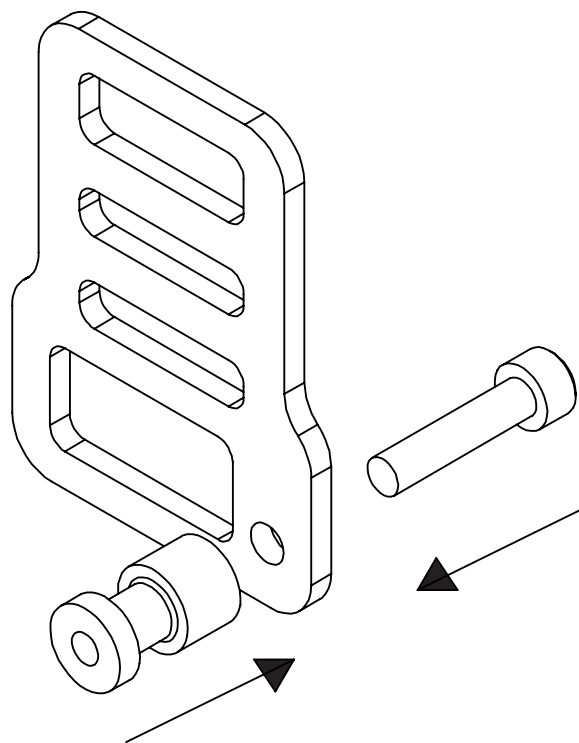
② x2

10/32x7mm Socket head cap screw

Remove the PT screw with a T20 Torx driver.



Install 1 piece insert with the provided 10/32 x 7mm socket head cap screw with a 4mm hex key. Repeat for other strap.



1

2