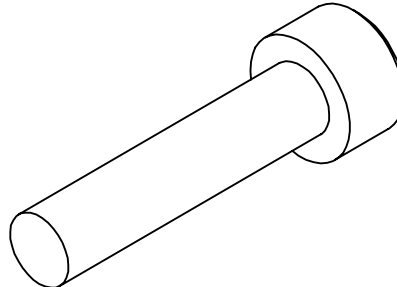
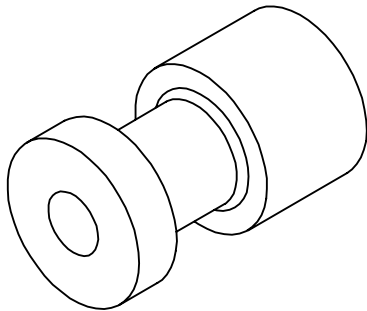


STRAP LATCH INSERT INSTALLATION

Part # 74603-01A

Tools Recommended
T20 Torx driver - 4mm Hex Key

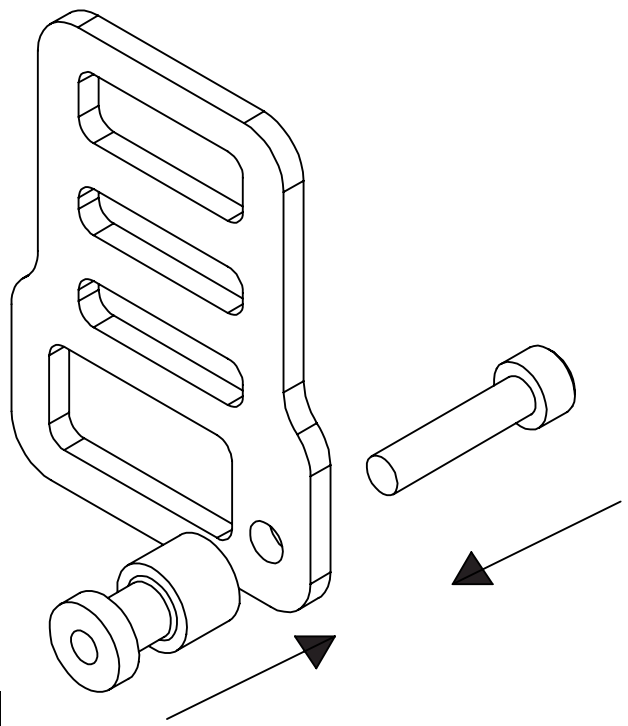
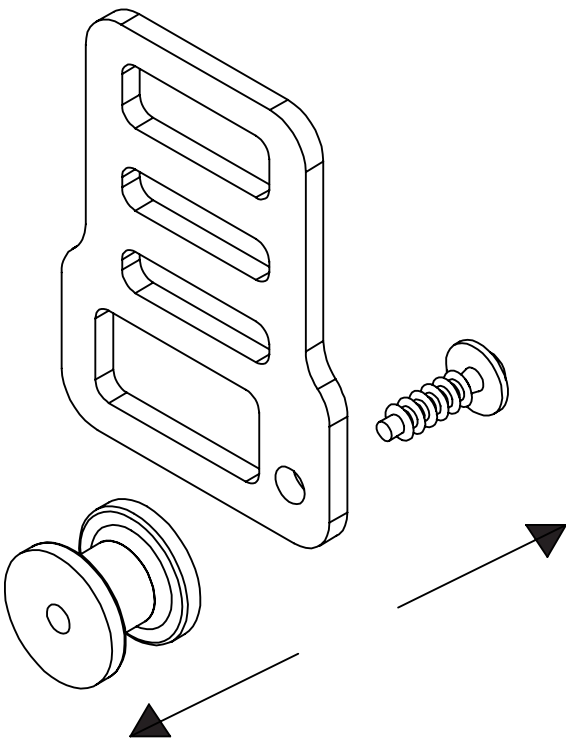


1 x2
1 piece Strap Latch Insert

2 x2
10/32x7mm Socket Head Cap Screw

Remove the PT screw with a T20 Torx driver.

Install 1 piece insert with the provided 10/32 x 7mm socket head cap screw with a 4mm hex key. Repeat for other strap.



1

2