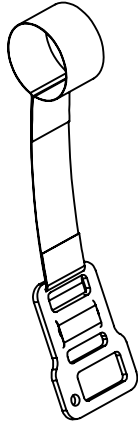


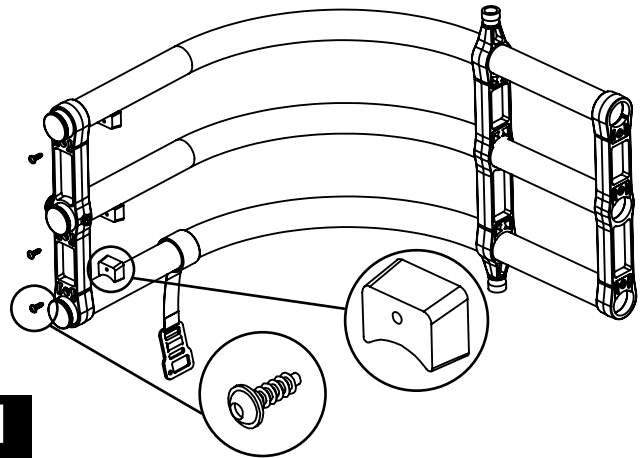
STRAP LATCH INSTALLATION

Part # 74600-01A (Colorado / Canyon Strap)

Remove PT screws and wedges using a T-20 Torx driver. Be careful not to strip the screws.



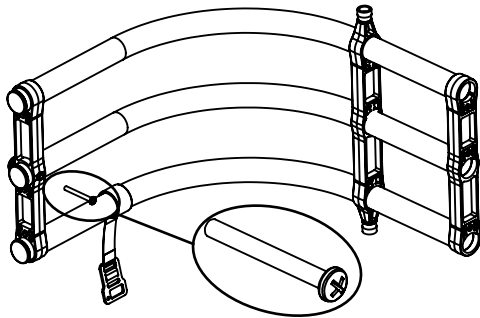
1 x2
Strap Latch Assembly



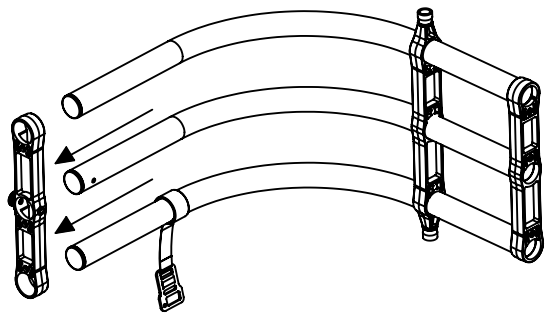
1

Remove the 1/4-20 screw with a #2 Phillips screw driver.

Remove the pivot upright.



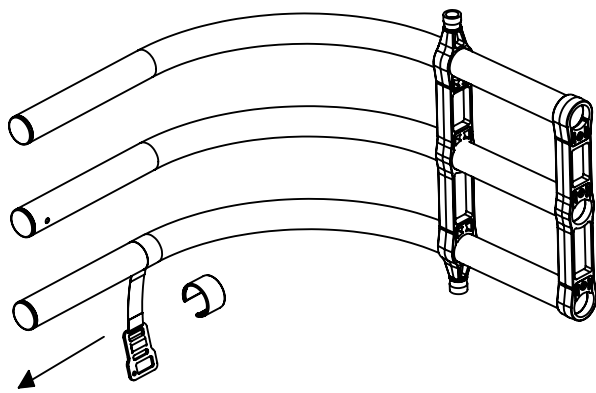
3



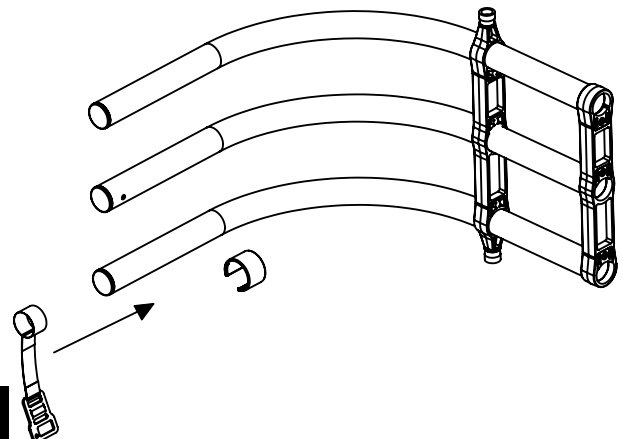
2

Remove the strap latch retainer and strap latch assembly.

Replace with new strap latch assembly and retainer and assemble in reverse order. Repeat for other side.



4



5